

Dimensions

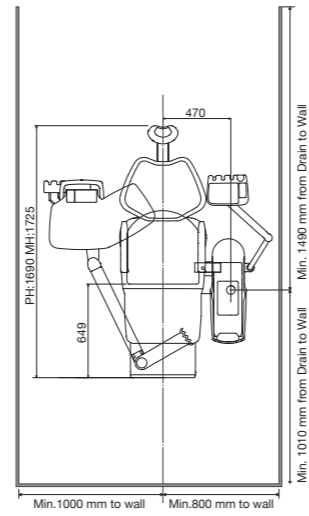
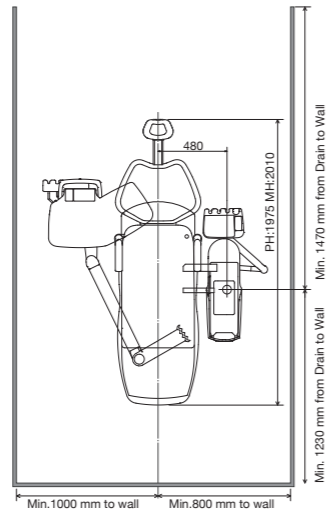
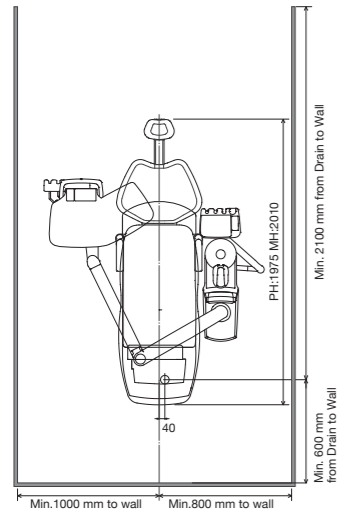
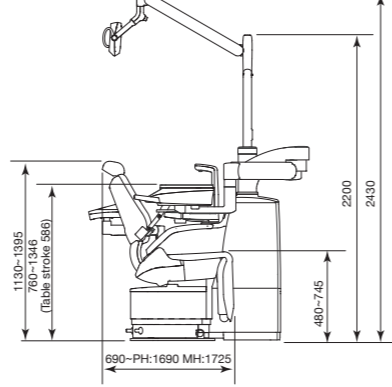
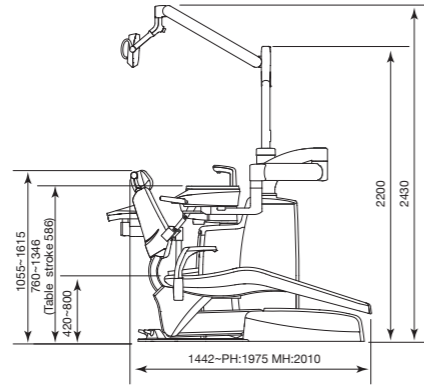
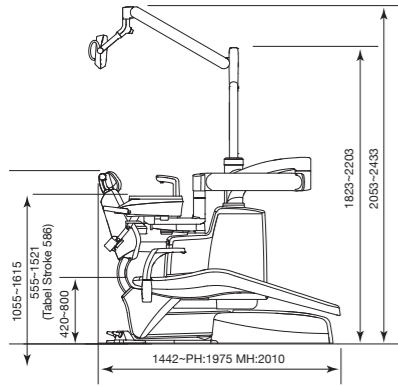
S1



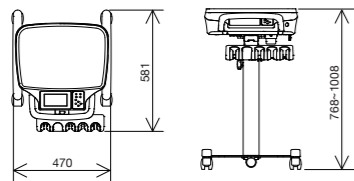
S3



S4



Cart



EURUS Options & Accessories

EURUS Options & Accessories

● Standard | ○ Selectable | - Not available | HD Holder type only

Chair



Double articulating headrest



Power headrest

Light



Patient mirror

Normal



Composite mode



Stool



Stool for Dentist

Dentist Element



Holder type



Rod type



Place type



Cart (Holder type)



Cart (Place type)

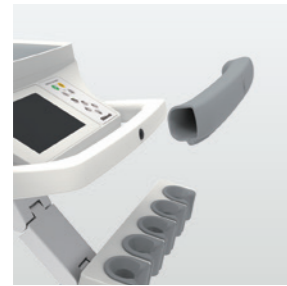


Table handle cover (Holder/Place type)



Table handle cover (Rod type)



Syringe Belmont BT14 & 77



Belmont handpiece



Wireless foot controller

Unit Body



Vacuum handpiece & Saliva ejector Belmont & Dürr



Twin Vacuum (two solid correctors)



Sensored cupfiller



Clean water system with 2 liter bottle



LED indicator



Separated junction box



Monitor bracket (not incl. monitor)



Vacuum line clean system (Pedestal type only)



Flushing system (integrated type)

Chair	S1 & S3 Contour	S4 Folding legrest
Double articulating headrest	○	○
Power headrest	○	○
Armrest at left side only (fixed)	○	-
Armrest at both side, left side fixed & right side rotated	○	●
Integrated stick switch (2 controls, manual & auto mode chair switch)	○	-
Integrated stick switch (3 controls, manual, auto mode chair switch & power headrest)	○	●
Upholstery seam type	○	○
Upholstery luxury seam type	○	○
Upholstery seamless type	○	○

Dentist Element	Holder/Place (Over the patient)	Holder/Place (Cart)	Rod (Over the patient)
Touch panel screen, 5 inch	●	●	●
Protection sheet for touch panel	○	○	○
Table handle cover	○	○	○
Small table with silicon mat	-	●	-
Large table with silicon mat	●	-	-
Small size tray holder (size: 290x190mm)	-	-	○
Large size tray holder (size: 380x290mm)	-	-	○
Autoclavable holder outlet	○ / HD	○ / HD	-
3-way syringe	○	○	○
6-way syringe	○	○	○
Midwest 4-way turbine hose	○	○	○
Midwest 4-way turbine hose with fiber optic	○	○	○
Micromotor (air/electric)	○	○	○
Scaler (air/electric)	○	○	○
Water heater for handpiece	○	○	○
Foot controller (wired)	○	○	○
Foot controller (wireless)	○	○	○
Intra oral camera	○	○	○
USB port	○	○	○
Stainless waste receptacle / cotton container with stand/ vials x 5 pcs with stand	○	○	○
Intra oral film viewer	○	○	○
Panorama film viewer	○	○	○
Curing light	○	○	○

Assistant Element	Holder/Place	Rod
Standard type assistant arm	○	○
Ratchet gear type assistant arm	○	○
3-way syringe	○	○
Vacuum & saliva ejector handpiece	○	○
Twin vacuum	○	○
Autoclavable holder outlet	○	○

Unit Body	Holder/Place	Rod
Electric timered cupfiller & bowl flush	○	○
Sensored cupfiller & bowl flush	○	○
LED indicator	○	○
Rotating cuspidor bowl, porcelain	●	●
Water heater 24V	○	○
Water disinfection system	○	○
Clean water system with 2 liters water tank	○	○
Separator	○	○
Amalgam separator	○	○
Vacuum line clean system	○*	○*
Flushing system without flushing tray	●	●
Flushing system (integrated type)	○	○
Monitor bracket	○	○
Service outlet for water	○	○
Connector for water	○	○
Service outlet for air / connector for air	○	○
Separated junction box	○	○
	S1&S3 only	S1&S3 only

Light	EURUS LIGHT	900 LED LIGHT
Autoclavable detachable light handle	○	○
Patient mirror	○	○

Stool	
Eurus Stool for Dentist	○
Eurus Stool for Assistant	○

*Available configuration limited for Pedestal type.